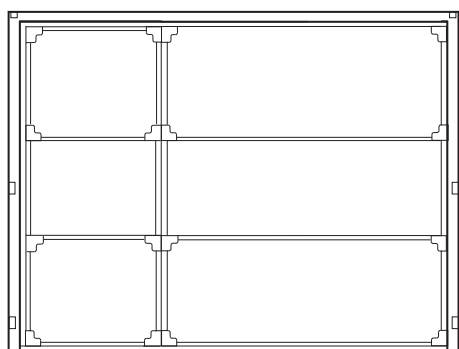




Garage Door

fitting instructions

Side Hinged Framed Fitting Instructions V4.1



Warning!

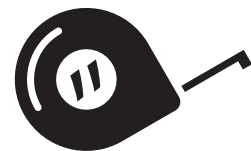


Garage doors are heavy and a poorly installed frame could lead to serious injury if the door comes loose or falls in any way.

Before you start!

Measure

Measure the door and frame against the brick opening to ensure the door will open when installed. If fitting behind the opening, ensure the door will open without fouling the brickwork.



Pack Contents

1x fitting pack containing:

- 6x angled fixing brackets
- 3x keys
- 1x door
- 1x handle pack
- 12x self drilling tech screws
- 12x 50mm coach screws
- 24x M8 washers

Fixings not supplied

We recommend:

- 8mm wall plugs (Rawl)
- Silicone sealer
- Light oil (3 in 1)

Tools required for installation:



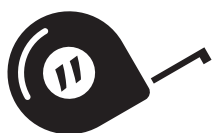
Screw driver



Electric drill



Spanner



Tape measure



Spirit Level

Safety Equipment



Gloves



Goggles

Wear adequate protection
when installing

Handy information:

Caution!



Garage doors are heavy and this item must be installed by two people.

Do not!



Do not allow children to assist in the installation, adjustment, or operation of this door. Garage doors can inflict severe injury if not used correctly.

CE Marked



This door is CE marked and comes with a Europe wide 2 year warranty, limitations apply visit **www.fortdoors.co.uk** and view full terms and conditions.

Warranty



Always ensure the door is correctly adjusted and serviced as failure to do so may invalidate the warranty.

Warning!



Until all parts of the installation are finished, there is a possibility of being locked out, always ensure someone is inside until you have checked the operation of the lock and adjusted as required.

For technical help:

Helpline: 01217 497 977

Email: sales@fortdoors.co.uk

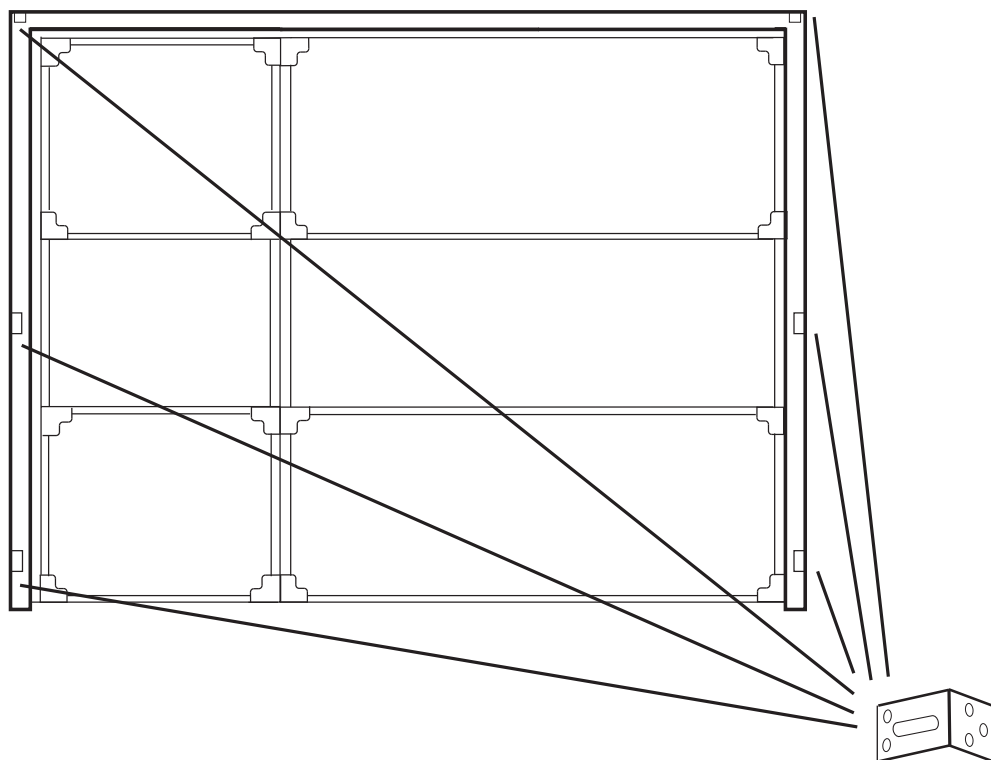
Website: www.fortdoors.co.uk

Installation

Offer door up to brickwork and level using wedges and check with a spirit level.

Fit the angled frame brackets

Check for suitable fixing point and attach 1x angled frame fixing bracket to the back of the door frame using 2x self drilling tech screws. Repeat the process so you have at least 3 brackets per side evenly spaced. Pictured below is an example.



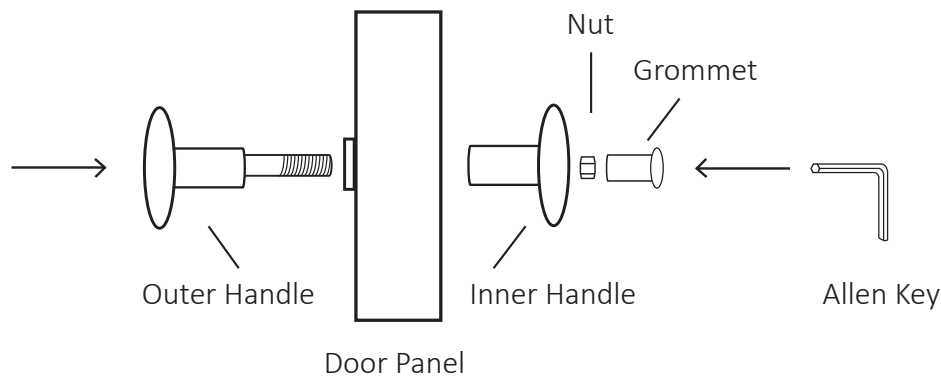
Now bolt the brackets to the wall with 2x 50mm coach screws. You will need Rawl plugs (**not supplied**) at this stage. Ensure the brackets are firmly fixed in place and the door is rigid.

Before fully tightening the screws check the two doors meet correctly across the top and are level. Adjust the legs in/out to ensure a good overall appearance.

Spray oil the hinges and latching plates /lock to ensure a smooth operation.

Fitting the outer handle

Push the outer handle with the spindle through the door panel. Push the inner handle over the spindle followed by the nut and the grommet (the grommet goes over the nut and tightens with an Allen key).



Caution!

Do not over-tighten as this can crush the outer panel.

Check the locking works correctly from the inside by closing the door and opening again. **Do not do this from the outside, if adjustment is required you may not be able to open the door again.**

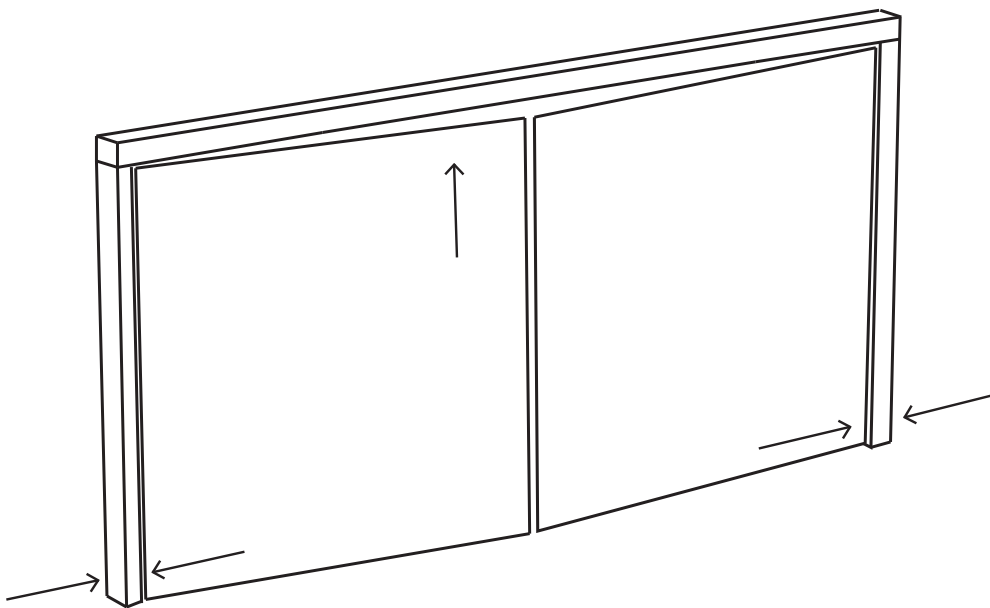
Caution!

Never check that the locking works from outside! Always have a person inside as you may lock yourself out resulting in serious damage to the door if you have to force entry.

Side hinged adjustment

A common problem when fitting a side hinged garage doors is levelling the two leaves correctly. Most people fit to either brick or a timber sub frame and working from a spirit level they often think that this is perfect only to find the top of the doors do not align and assume that a manufacturing fault is to blame.

Firstly, it is important to know that all side hinged doors are hand made and as such each half can have minor differences in size. This is an industry wide accepted build method due to the nature of the product. **You should adjust the legs to give the best appearance in all cases.**



Problem 1

Both of my doors are fitted with a slope across the top (as pictured above).

Fix:

Move both legs inwards to lift the centre line up - only a fraction of movement at the bottom either in or out is required to obtain the best appearance.

Tip



It is best to put temporary packers between the brick or timber until you are happy. This will mean less drilling of holes whilst you adjust. Leave the top fixing in place to stop the doors falling out of the hole.

Side hinged adjustment

Problem 2

One of my leaves looks fine and the other looks slanted.

Fix:

As in problem 1, move the leg of the door that looks slanted inwards. This will raise the slanted side upwards to align correctly.

Problem 3

My doors look terrible. They are both out of line with one looking higher than the other.

Fix:

Have you fitted to the floor level rather than the door level? i.e, is one leg higher than the other resulting in the poor appearance? Using small packers, lift the lower and adjust as described above to obtain the best overall appearance.

I still cant make it look good!

Call an experienced fitter from your Yellow pages to adjust the door for you or call the factory for an approved installer. **(Charges will apply)**



EC Declaration of Conformity



We, the Fort Doors company of the United Kingdom, do hereby declare that the building industry product described in the detail below conforms in all respects and meets all requirements if assembled and maintained in accordance with the installation instructions.

Product Fort overhead garage door for manual operation

Standard Industrial, commercial and garage doors and gates -
Product standard - Part 1: Products without fire resistance
or smoke control characteristics.

EN 13241-1

EN 12604 Mechanical aspects - requirements

EN 12605 Mechanical aspects - test procedures

We furthermore declare that the technical documents including test certificates will be made available to the relevant governing authority upon request.

Authorised persons for the compilation and management of the technical documentation:

A handwritten signature in blue ink.

The Directors
Fort Doors
25/06/2013



Fort Doors, Unit 19, The Fort Industrial Park,
Dunlop Way, Birmingham B35 7AR

Tel: 0121 749 3699

Fax: 0121 748 2677

e-mail: sales@fortdoors.co.uk

web: fortdoors.co.uk

Fort Doors reserves the right to alter specifications to design and manufacture without notification. All specifications are correct at time of publication, errors and omissions excepted. Colour samples are, due to the print process, intended as a guide only, please request a sample if unsure.